

# GENUINE COMFORT

DELIVERING COMFORT CONSISTENTLY

Packaged Terminal Air Conditioner | Spec Sheet | 42" W x 16" H x 21" D

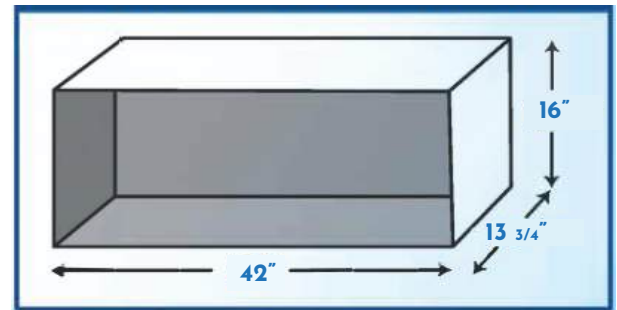
## Features

- ETL (Intertek) Certified
- Energy Efficient: Meets DOE Standards
- Dual Motors For Quiet & Efficient Operations
- Universal Wall-Sleeve Fit
- Universal Thermostat Compatibility
- EMS Compatible
- Electric Touch Pad Controls
- R410A Refrigerant
- **Genuine Care Warranty:** 1 Year Unit Replacement (if parts and labour not available), 6 Year Parts Replacement

## Product Photo



## Wall Sleeve Dimensions



## Model Identification

GC	—	Genuine Comfort
TW	—	26" PTAC; Omit for 42" PTAC
HP	—	Heat Pump; Omit for Non-Heat Pump
09	—	BTU Capacity
E	—	Electric Heater; A for Heat Pump w/ Electric Heater
N	—	On/Off Type; V for Inverter Type
R1F	—	R1 = R410A F = F-Series
C	—	20A (3.6kW); A for 15A (2.5kW); D for 30A (5.0kW)
265	—	265V; Omit for 220V

## Wall Receptacles



## Accessories

- Wall Sleeve
- Stamped Grille
- Architectural Grille
- Wired Thermostat
- Sub-Bases
- Occupancy Sensor Thermostat
- Wireless Thermostat
- Duct Kit

For More Information, Please Contact:  
**(204) 201-0717 // 1-(866) 233-4022**  
[info@genuinecomfort.com](mailto:info@genuinecomfort.com)  
or visit [www.genuinecomfort.com](http://www.genuinecomfort.com)

# GENUINE COMFORT

DELIVERING COMFORT CONSISTENTLY

Packaged Terminal Air Conditioner | Spec Sheet | 42" W x 16" H x 21" D

COOLING WITH ELECTRIC HEATER 208-230V/60HZ R410A					SPECIFICATIONS	
Sale Model			GC-07ENR1F	GC-09ENR1F	GC-12ENR1F	GC-15ENR1F
Power supply		V-Ph-Hz	230/208V /60Hz	230/208V /60Hz	230/208V /60Hz	230/208V /60Hz
Power supply type			1Ph	1Ph	1Ph	1Ph
Cooling	Capacity	Btu/h	7400/7200	9500/9300	12200/12000	14700/14500
	Input	W	620/605	835/815	1140/1120	1470/1450
	EER	Btu/h.W	11.9/11.9	11.4/11.4	10.7/10.7	10.0/10.0
Heating	Capacity	Btu/h	/	/	/	/
	Input	W	/	/	/	/
	COP	Btu/h.W	/	/	/	/
Cooling power factor			0.992/0.994	0.987/0.990	0.956/0.963	0.985/0.991
Electric heater capacity		A(KW)	15A(2.5KW) / 20A(3.6KW) / 30A(5KW)	15A(2.5KW) / 20A(3.6KW) / 30A(5KW)	15A(2.5KW) / 20A(3.6KW) / 30A(5KW)	15A(2.5KW) / 20A(3.6KW) / 30A(5KW)
Max. input consumption		W	750	1050	1460	1950
Max. current		A	3.6	5.1	7.3	9.4
Indoor air flow (Hi/Lo)		m3/h	720/620	700/620	750/650	800/700
Indoor sound level (sound pressure level)		dB(A)	49/41	49/40	53/47	52/49
Outdoor air flow		m3/h	1200	1200	1200	1200
Outdoor sound level (sound pressure level)		dB(A)	66	66	66	66
Unit	Dimension(W*H*D)	In	42"Wx16"Hx21"D	42"Wx16"Hx21"D	42"Wx16"Hx21"D	42"Wx16"Hx21"D
	Packing (W*H*D)	In	45"Wx19"Hx25"D	45"Wx19"Hx25"D	45"Wx19"Hx25"D	45"Wx19"Hx25"D
	Net/Gross weight	lbs	99 / 106	102 / 106	108 / 113	112 / 119

HEAT PUMP WITH ELECTRIC HEATER 208-230V/60HZ R410A					SPECIFICATIONS	
Sale Model			GCHP-07ANR1F	GCHP-09ANR1F	GCHP-12ANR1F	GCHP-15ANR1F
Power supply		V-Ph-Hz	230/208V /60Hz	230/208V /60Hz	230/208V /60Hz	230/208V /60Hz
Power supply type			1Ph	1Ph	1Ph	1Ph
Cooling	Capacity	Btu/h	7200/6800	9200/9000	12000/11800	14700/14500
	Input	W	605/570	805/790	1130/1110	1470/1450
	EER	Btu/h.W	11.9/11.9	11.4/11.4	10.6/10.6	10.0/10.0
Heating	Capacity	Btu/h	6000/5800	8300/8100	10800/10500	13600/13400
	Input	W	520/500	715/700	960/930	1245/1225
	COP	Btu/h.W	3.4/3.4	3.4/3.4	3.3/3.3	3.2/3.2
Cooling power factor			0.992/0.994	0.987/0.990	0.956/0.963	0.985/0.991
Heating power factor			0.990/0.991	0.987/0.988	0.936/0.940	0.983/0.991
Max. input consumption		W	750	1050	1460	1950
Max. current		A	3.6	5.1	7.3	9.4
Indoor air flow (Hi/Lo)		m3/h	720/620	700/620	720/620	800/700
Indoor sound level (sound pressure level)		dB(A)	49/41	49/40	49/41	52/49
Outdoor air flow		m3/h	1200	1200	1200	1200
Outdoor sound level (sound pressure level)		dB(A)	66	66	66	66
Unit	Dimension(W*H*D)	In	42"Wx16"Hx21"D	42"Wx16"Hx21"D	42"Wx16"Hx21"D	42"Wx16"Hx21"D
	Packing (W*H*D)	In	45"Wx19"Hx25"D	45"Wx19"Hx25"D	45"Wx19"Hx25"D	45"Wx19"Hx25"D
	Net/Gross weight	lbs	99 / 106	102 / 106	108 / 113	112 / 119